

School Bell & Post package

DESCRIPTION

This package comprises the following:

- 16kg Bronze bell, bell diameter is 295mm
- Ball race pivots
- Clapper (fitted to the bell)
- Stainless steel fasteners
- Black post (as pictured) with base plate
- Bell rope for swinging & ringing (removeable)
- Bell inscription, date & foundry mark
- Road freight (or delivery) to your site

THE BELL

This bell is perfect for schools and churches, for swinging by rope. The height of the post means interference is limited if it's in a public place. The bells are made of bronze alloy 79-21, meaning the alloy contains 79% copper and 21% tin. All bells are cast in Italy and include the foundry mark, year of manufacture and can include a logo or inscription. "Inscriptions" are in relief, so that the lettering appears to protrude from the bell, rather than being engraved – this is done during the casting process. A hi-resolution image file would be required for artwork.

WARRANTY

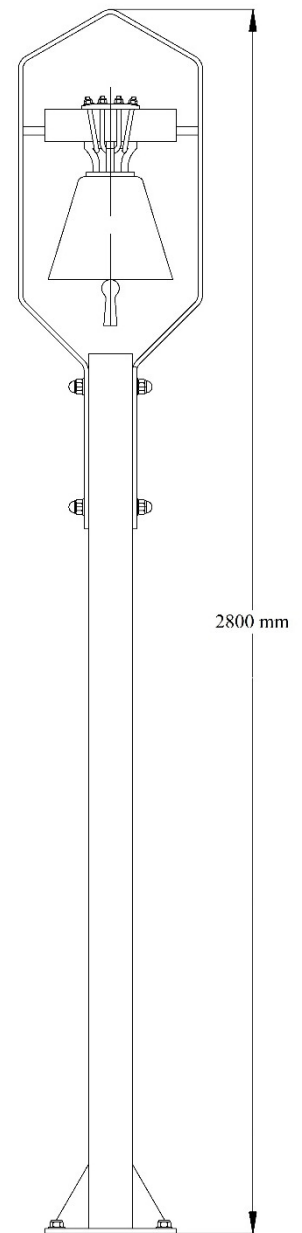
The bell has a five year warranty in case of breakage of the bell due to a defect in materials or rendering. Warranty excludes damage caused by accident or vandalism.

POST

The post is supplied in black (other colours can be made available for an extra charge), coated with 2-part epoxy enamel. The post is 2.5m high and is supplied with a 300mm square base plate for bolting to the ground.

EXTRA OPTIONS

Bells are available in a variety of sizes, with other posts available which accommodate two or three bells. We can also automate the ringing of new or existing bells. Bells can be supplied without the post if required and the post height can be modified if needed.



TOWER CLOCK SERVICES
AUSTRALIA 